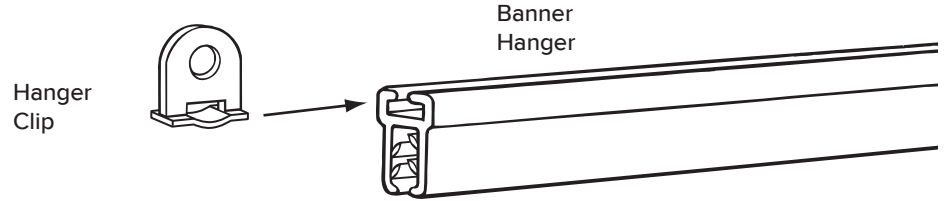
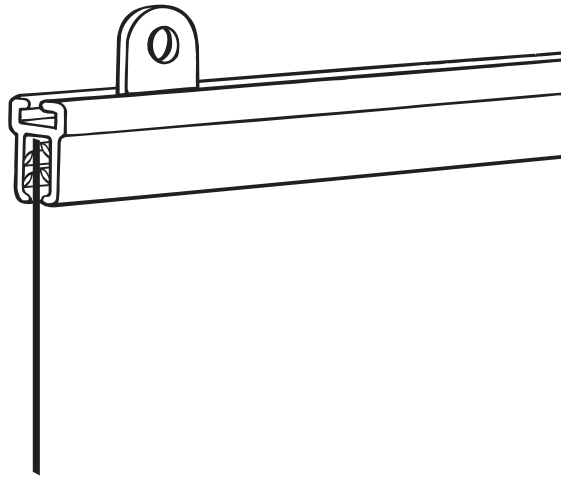


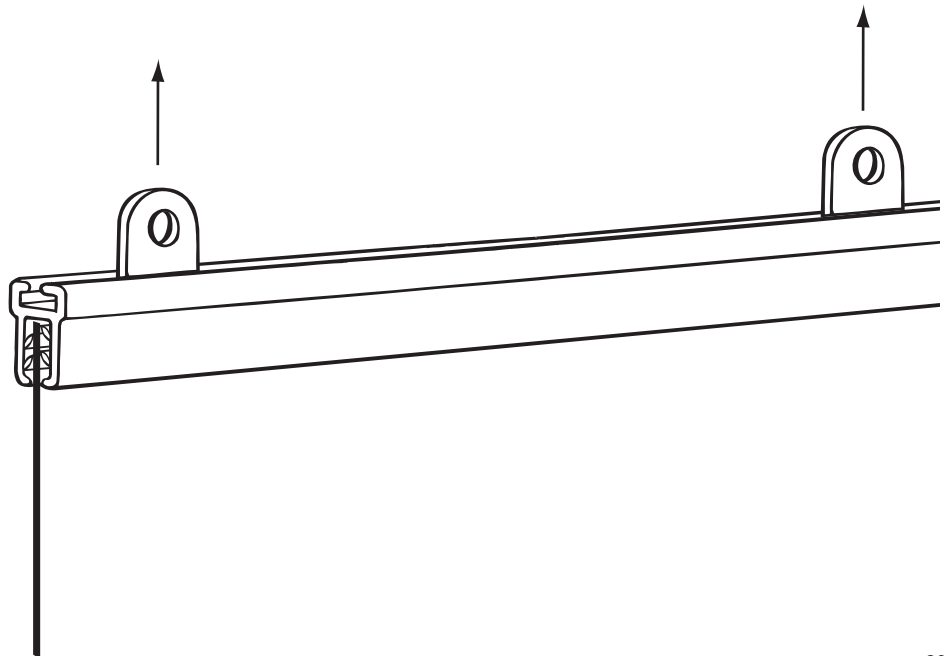
- 1 Slide Hanger Clips into top track of banner hanger.



- 2 Start at one end of banner hanger. Insert banner all the way up into the grippers.



- 3 Use appropriate hardware to hang banner from ceiling. Installation is complete.



20190409